

Label Printing Scale

CL7200 series



Touch Screen Label Printing Scale

Designed for weighing and label printing in supermarkets, groceries, and other retail stores, the CAS CL7200 Touch Screen Label Printing Scale, delivers crisp, easy to read labels for all users. Graphics are rich & colorful with the responsive 10.2-inch touch display.

Measurement
Canada **Approved**



CAS

CL7200 Series

10.2" LCD Touch Screen

Full color 10.2" TFT LCD display presents pictures and PLUs vividly with minimal reflections. Responsive smart touch features provides easy navigation for quick access to any PLU call up.

7" Display for Customers

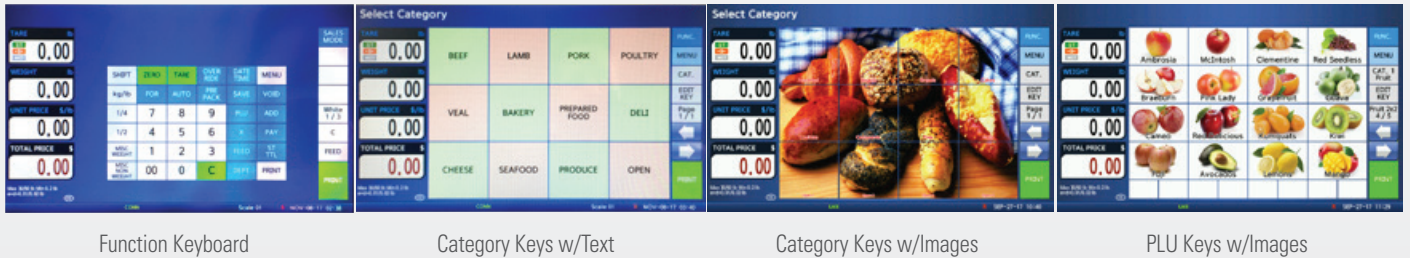
The 7-inch TFT LCD customer side display provides vivid full color graphics complete with audio. Display images or video for your customers. Perfect for advertisements or brand awareness campaigns.



PLUs

The CL7200 Touch Screen Label Printing Scale comes standard with 72 PLU keys on the home panel. Customize the PLU keys to suit your needs. Add product images or use simple text. Add additional PLU keys or Category Keys, change sizes, or add more PLU key pages within category.

PLU's can be set up directly in the scale using the intuitive interface or created using CL Works Pro software.



Function Keyboard

Category Keys w/Text

Category Keys w/Images

PLU Keys w/Images

Integrated Printer

The CAS CL7200 is equipped with an integrated direct thermal printer that produces clear 202 dpi label printing with printing speeds up to 100mm/sec. Various die cut or continuous label sizes can be used up to 60 mm (56 mm printable) wide and 200 mm in length.



Quickly & Easily Change Labels

Simply replace your labels with the removable, easy-to-use label cassette - takes only a few seconds to complete. The label cassette access door is conveniently located at the side of the scale, designed for quick label roll replacement.

Labels

45 Standard Labels • 20 Custom Labels Available Printed Elements

- Vertical Barcodes
- Ingredients
- Nutrition Facts
- Sales Discounts
- Graphics
- Multiple Languages
- And More!



Touchscreen Label Printing Scale

Software

CL-Works Pro



Data Editing

CL-Works Pro offers an easy-to-use data editing solution for businesses in supermarkets, grocery stores, delicatessens, and other retail markets. Manage all retail activities from PLUs to label formats.

Data Analysis

CL-Works Pro provides solution for analyzing sales data quickly, easily and accurately. The accumulated data would become an asset for users who want to get deeper insights from the data in order to make better predictions.

Compatibility

CL-Works Pro is compatible with all CL Series Label Printing Scales that use the most recent firmware. Control multiple scales remotely and efficiently manage your retail process.

- Easy PLU management control for all scales
- Simple PLU import & export
- Manage PLU's in multiple departments
- Supports WEP, WPA, & WPA2 Encryption

Networking Capabilities



- TCP/IP Communications
- 100 Base T Ethernet
- IEEE 802.11 g/n Wireless

Compatible Popular Scale Management Software Packages*

If you use either Applied Data Corporation's InterScale Scales Manager or Invatron's E-Plum to manage your scales, then you can easily add the CAS CL Family of Label Printing Scales to your network!*



*E-Plum Scale Management Software is owned and sold by Invatron Systems Corp. For more information, please visit www.invatron.com. InterScale Scales Manager is owned and sold by Applied Data Corporation. For more information, please visit www.applieddatacorp.com.

SMOKED TURKEY

0.23 0

04.18.11 04.18.11 0.41 2.99 **1.23**

PACKED ON | SELL BY | NET WT/LBS | PRICE PER LB | TOTAL US PRICE

CAS CORP
EAST RUTHERFORD, NJ 07073

SIRLOIN STEAK CENTER CUT

PACKED ON | SELL BY | NET WT/LBS | PRICE PER LB | TOTAL US PRICE

0.15 4.39 **9.68**

0.15 4.39 **8.69**

CAS CORP
EAST RUTHERFORD, NJ

BEEF ROUND STEAK

0.80 0

04.18.11 04.18.11 4.92 2.99 **14.71**

PACKED ON | SELL BY | NET WT/LBS | PRICE PER LB | TOTAL US PRICE

CAS CORP
EAST RUTHERFORD, NJ 07073

SAFE HANDLING INSTRUCTIONS

THIS PRODUCT WAS PREPARED FROM INSPECTED AND PASSED MEAT AND/OR POULTRY. SOME ENVIRONMENTAL CONTAMINANTS THAT COULD CAUSE ILLNESS IF THE PRODUCT IS CONSUMED OR COOKED IMPROPERLY. FOR YOUR PROTECTION, FOLLOW THESE SAFE HANDLING INSTRUCTIONS:

KEEP FRESH REFRIGERATED OR FROZEN. THAW IN REFRIGERATOR OR MICROWAVE. KEEP FRESH MEAT AND POULTRY SEPARATE FROM OTHER FOODS. WASH HANDS AND SURFACES (INCLUDING CUTTING BOARD) AFTER MEAT OR POULTRY. COOK THOROUGHLY. KEEP HOT FOODS. DEFROST IMMEDIATELY ON DISHING. REFRIGERANTS

CHICKEN ROTIS PLAIN HOT HOT

Ingredients: Whole Chickens

Nutrition Facts: 28oz (1 lb 12 oz) 794g

SELL BY 11.22.17 @ 10.56

1PCS 4.56 \$ 4.56

996 Murray Hill Parkway East

BEEF ROUND STEAK BONELESS

PREPARED: CHICKEN BREAST WHOLE W/ SKIN. COMBINED MEAT FROM INSPECTED AND PASSED MEAT AND/OR POULTRY. SOME ENVIRONMENTAL CONTAMINANTS THAT COULD CAUSE ILLNESS IF THE PRODUCT IS CONSUMED OR COOKED IMPROPERLY. FOR YOUR PROTECTION, FOLLOW THESE SAFE HANDLING INSTRUCTIONS.

SELL BY 09.29.18

PRICE PER LB: 3.61 49.99 \$ 180.46

You Saved 180.50

CAS USA SUPERSTORE
998 Murray Hill Parkway East



SPECIFICATIONS

| MODEL | CL7200-30(W) | CL7200-60(W) |
|---------------------|---|---|
| Max. Capacity | 15 kg/30 lb | 30 kg/60 lb |
| Weighing Capacity | 15 kg / 30 lb Capacity Dual Range 0 - 15 x 0.005 lbs / 15 - 30 x 0.01 lbs 0 - 6 x 0.002 kg / 6 - 15 x 0.005 kg | |
| | 30 kg / 60 lb Capacity Dual Range 0 - 30 x 0.01 lbs / 30 - 60 x 0.02 lbs 0 - 15 kg x 0.005 kg / 15 - 30 kg x 0.01 kg | |
| Max Tare | 6 kg/15 lb | 15 kg/30 lb |
| A/D Conversion Rate | Approx. 8 times/sec. | |
| Measurement Type | Load Cell | |
| Platter Size | 15 in x 9.75 in / 380 mm x 250 mm | |
| Key | 99 Category Keys - 20 Speed Key Pages/Category available - Max 72 1x1 Size Keys/Page - 36 Function Keys | |
| Units | lb/kg | |
| Display | Operator | Customer |
| | 10.2 inch Graphic Touch LCD Tare : 4 digit Weight : 5 digit Unit Price : 6 digit Total Price : 6 digit | 7 inch Graphic LCD Tare : 4 digit Weight : 5 digit Unit Price : 6 digit Total Price : 6 digit |
| Print Speed | 100 mm/sec | |
| Print Resolution | 202 dpi | |
| Label Size | Width: 40 mm-60 mm Length: 30 mm-200 mm | |
| Barcode | UPC, EAN13, EAN13A5, I2OF5, CODE128, CODE39, CODE93, CODABAR | |
| Font | Small, Middle, Large Size, Italic, Bold, Underline, Through Line, Reverse | |
| Printer Type | Direct Thermal Print | |
| Operating Temp | -10°C ~ 40°C (14°F ~ 104°F) | |
| Power | AC 100 ~ 240V 50/60Hz 1.5A | |
| MODEL | CL7200RP-60 Remote Platform | CL7200RP-300 Remote Platform |
| Max. Capacity | 30 kg/60 lb | 150 kg/300 lb |
| Weighing Capacity | 30 kg/60 lb Capacity Dual Range 0 - 30 x 0.01 lbs / 30 - 60 x 0.02 lbs 0 - 15 kg x 0.005 kg / 15 - 30 kg x 0.01 kg | |
| | 150 kg/300 lb Capacity Dual Range 0 - 150 x 0.05 lbs / 150 - 300 x 0.1 lbs 0 - 60 x 0.02 kg / 60 - 150 x 0.05 kg | |
| Max Tare | 15 kg/30 lb | 60 kg/150lb |
| Platter Size | 20.25 in x 15.5 in / 515 mm x 395 mm | |

Options

- Fish Pan
- Remote Platform
- Label Cartridge

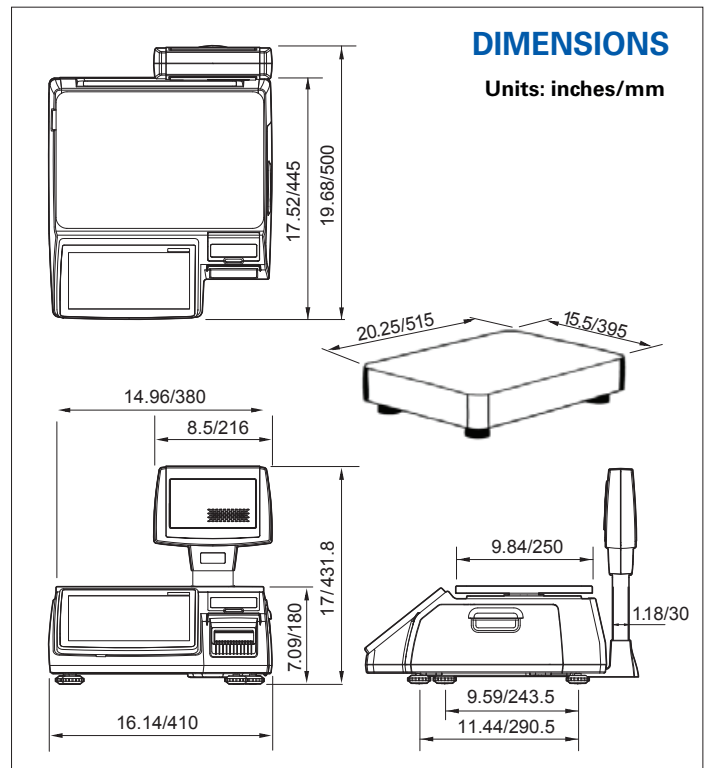


Features

- 30 lb & 60 lb Models - Dual Range
- 60 lb & 300 lb Remote Platforms
- 4,000 PLU's with Direct Ingredient Message in PLU data file
- 45 Standard Label Formats/20 Custom Label Formats
- High Speed Thermal Printer
- USB or PC Firmware Upgrades
- USB Program Back-up and Restore
- Multiple barcode formats
- **Ethernet/Wireless Network Capabilities Built-in**
- English or Spanish Characters
- CL Series Menu Code System
- Remote Access for Support / Built-in Diagnostics
- Works with CL-Works Pro Software Package
PLU Editor - Label Editor - Keypad Editor
Compatible with Microsoft Windows® 10
- Works with Invatron's E-PLUM Scale Management and ADC's
InterScale Scales Manager software
- Approvals - NTEP COC # 17-096
Measurement Canada - AM-6087

DIMENSIONS

Units: inches/mm



v91024020



Specifications are subject to change without notice improvement.

99 Murray Hill Pkwy Unit A
East Rutherford, NJ 07073
800.223.4227 / 201.933.9002

www.cas-usa.com

CAS