

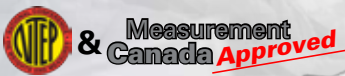


LP-1000N SERIES

Label Printing Scale

The LP-1000N is the best scale on the market today in its class. A feature rich, easy-to-use label printing scale. With its ability to use the most popular label formats, the LP-1000N will be perfect for deli's, convenience stores, grocery stores, etc.

- 30 x 0.01 lb Capacity
- Stores up to 4,000 PLUs
- 30 Standard Label Formats
- 54 Preset Keys



LP -1000NP ▶



LP -1000N ▲

LP-1000N SERIES | Label Printing Scale

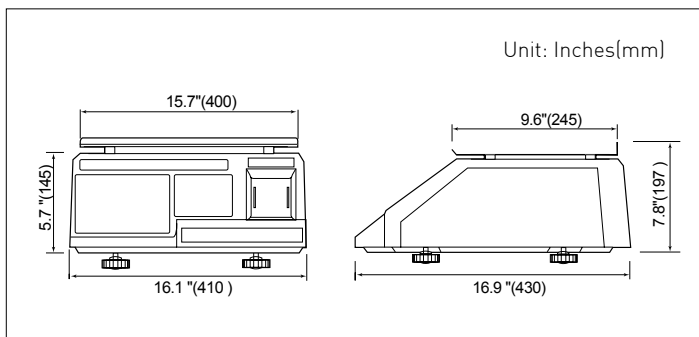
FEATURES

- 30 x 0.01 lb Capacity
- Stores up to 4,000 PLUs
- 30 Standard Label Formats
- 54 Preset Keys
- Standard RS-232C & USB Ports
- Auto-Prepack Feature
- Ingredients Printing: Up To 400 Characters per PLU
- Commodity Name: Up To 56 Characters per PLU
- USB-A to USB-B Cable Included
- Windows Software Pkg Included

OPTIONS

- Fish Platter (in/mm) 17(W) x 11.25 (D) / 428 (W) x 284 (D)
- Keypad Wet Cover
- RS-232C 25 to 25 Pin Serial Cable (Scale to Scale)
- RS-232C 25 to 9 Pin Serial Cable (Scale to Computer)

DIMENSIONS



Printing Data

Commodity Name, Message, Packed-on Date, Sell-by Date, Unit Price, Weight Total Price, Store Name and Address, Serial No., Time, PLU No., Group Code

PLU Data

Commodity Name, Message, Item No., Tare Weight, Unit Price, Group Code



99 Murray Hill Parkway
East Rutherford, NJ 07073
TEL: (201) 933-9002
FAX: (201) 933-9025
<http://www.cas-usa.com>



Specifications are subject to change for improvement without prior notice.

SPECIFICATIONS

Model	LP-1000N	LP-1000NP
Weighing Capacity	30 x 0.01 lbs	
Display Digits	5/6/7 (Weight/Unit Price/Total Price)	
Display Type	VFD (Vacuum Fluorescent Display)	
Measurement Type	Load Cell	
Printing Type	Thermal Print	
Preset Data	4000 PLU, 1000 Ingredient Msgs (50 Char x 8 Lines)	
Data Transfer	PC to Scale, Scale to PC, Scale to Scale	
Label Size	58 x 30 mm ~ 58 x 100 mm	
Interface	RS-232C and USB	
Power Source	AC 110/120/220/240V, 50/60 Hz	
Power Consumption	Max. 100W	
Operating Temp	-10°C ~ 40°C / 14°F ~ 104°F	
Platter Size (inch)	15.75(W) x 9.65(D) / 400(W) x 245(D)	
Dimensions (inch)	16.1(W) x 16.9(D) x 7.8(H)	16.1(W) x 19.3(D) x 23.6(H)
Product Weight	28.66 lbs	
Approvals	NTEP: 92-169 Measurement Canada: AM-5590	

Please note: The pole display is not an option. It is a separate model. Once you purchase an LP-1000, you CANNOT attach a pole display. USB to Serial Converter not included. Some versions of Quickbooks disable the RS-232 port for LP-Works - USB port not affected

Applications

Deli's, Produce, Supermarkets, Convenience Stores, Grocery Stores

Label Examples

(Not Actual Size)

