



SW-1W SERIES

Washdown Portion Control Scale

The SW-1W Series is an easy to use portion control scale, great for use in restaurants, meat & poultry plants, bakeries, farmer's markets, and more. Achieve precise measurements with the SW-1W's dual range technology. Its simple interface allows you to switch units easily to lbs, oz, kg, or g.

- Easy to Clean - Washdown - Up to IP66 Standards
- Portable
- Legal for Trade



SW-1W SERIES | Washdown Portion Control Scale

FEATURES

- Washdown to IP66 Standards
- AC or Battery Operated
- Large Easy to Read 1 Inch LCD Display
- Lb/g/kg/oz Switchable
- Precise Measurements with Dual Range Technology
- **Soft Touch Tactile Keyboard**
- Stainless Steel Platter
- **Auto Power Off**
- Warranty - 1 Year

WASHDOWN



The **SW-1W** is protected from water, dirt and other external agents, up to IP 66 Standards.

Use in any environment where washdown cleaning is necessary, from kitchens, bakeries, cafeterias, delis, and more.



Optional Rear Display



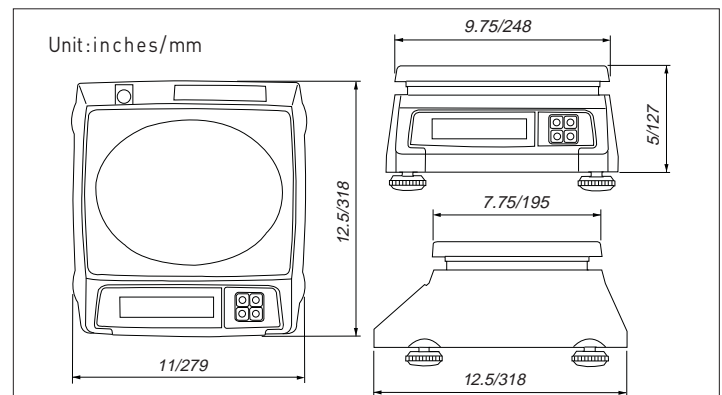
Battery Compartment

SPECIFICATIONS

| Model | SW-10W | SW-20W | SW-50W | |
|----------------------|--|--|-----------------|------------|
| Weighing Capacity | lb | 4/10 lb | 10/20 lb | 25/50 lb |
| | | 0.002/0.005 | 0.005/0.01 | 0.01/0.02 |
| | oz | 80/160 oz | 200/400 oz | 320/800 oz |
| | | 0.05/0.1 | 0.1/0.2 | 0.2/0.5 |
| | kg | 2.5/5 kg | 5/10 kg | 10/20 kg |
| | | 0.001/0.002 | 0.002/0.005 | 0.005/0.01 |
| g | 2500/5000 g | 5,000/10,000 g | 10,000/20,000 g | |
| | 1/2 | 2/5 | 5/10 | |
| Display Digit | 5 Digit LCD (1 Inch) | | | |
| Display Designators | Stable, Zero, Net, Batt | | | |
| Keys | Zero, Tare, Unit, Power | | | |
| Measurement Type | Load Cell | | | |
| Power Source | DC 9V (6 - "D" Size Batteries) / 9V AC Adapter Included AC Adapter Not Washdown | | | |
| Power Consumption | 0.25 W | | | |
| Operating Time | Alkaline Dry Battery: 1000 hr | | | |
| Operating Temp | -10°C ~ 40°C / 14°F ~ 104°F | | | |
| Platter Size (in/mm) | SW-1W | 9.75 (W) x 7.75 (D) / 248 (W) x 197 (D) | | |
| | Lg Platter | 14 (W) x 12 (D) x 2 (H) / 356 (W) x 305 (D) x 51 (H) | | |
| Dimensions (inch/mm) | 11 (W) x 12.5 (D) x 5 (H) / 279 (W) x 318 (D) x 127 (H) | | | |
| Product Weight | 7.3 lbs / 3.3 kg | | | |
| Approvals | NTEP COC# 09-075 | | | |
| | Measurement Canada #AM-5695 | | | |



DIMENSIONS



CAS

99 Murray Hill Parkway
East Rutherford, NJ 07073

TEL: (201) 933-9002

FAX: (201) 933-9025

<http://www.cas-usa.com>

Specifications are subject to change for improvement without prior notice.