

PBB Series Bench Platform Scales

Specification Sheet
SS-PBB-0905
September 2005

The CHATILLON® PBB Series portable bench beam scales are ideal for laboratory, industrial, educational or commercial use. Constructed of steel and cast aluminum, PBB scales feature adjustable, hardened-steel pivots and self-aligning steel bearings for lasting accuracy. Built-in platform and steel locking mechanisms help ensure safe and secure operation and transportability. Models are available in metric and avoirdupois units of measure with mirrored balance indicators and easy-to-read graduations. Avoirdupois models may be read in either ounce or decimal pounds. An additional sliding poise permits blank taring up to 10 lbs. Metric models have a 2 kg tare capability on a secondary poise. The platform measures 12 x 17-inches (305 x 432 mm). The bottom left or right beam sections may be used as a measured tare bar. H44 Class III Legal for Trade models are available.

Features

- ❑ Avoirdupois and Metric Models
- ❑ Available as H44 Class III "Legal for Trade"
- ❑ Full Capacity Beam Construction with Sliding Attached Poise
 - No Loose Weights
- ❑ Sturdy Construction
 - Steel Housing with Floating Platform
 - Platform and Beam Locking Mechanism Prevents Damage
- ❑ Notched Beam for Fast, Easy Reading
 - Mirrored Balance Indicators
- ❑ Built-in Carrying Handle
- ❑ Adjustable Legs with Bubble Level Indicator
- ❑ 1 Year Warranty

Specifications

- Accuracy:** ±1% of Full Scale
Maximum Overload: 125% of Rated Capacity
Tare Capacity: 0 - 10 lbs (0-25 lb PBB260)
Operating Temperature: 45°F to 100°F (7°C to 38°C)



PBB Series shown with optional stainless steel cover (16076)



Notched Reading Beam

No Class

Old Model	New Model	Capacity	Top	Left	Right	Tare Bar	Weight
PBB52X	PBB-052-S	52 lbs	50 x 2 lb	1 lb x 1/4 oz	1 lb x 0.01 lb	0-10 lb	23 lbs (10.5 kg)
PBB131X	PBB-131-S	131 lbs	125 x 5 lb	5 lb x 1 oz	1 lb x 1/4 oz	0-10 lb	23 lbs (10.5 kg)
PBB131XD	PBB-131XD-S	131 lbs	125 x 5 lb	5 lb x 1 oz	1 lb x 0.01 lb	0-10 lb	23 lbs (10.5 kg)
PBB300	PBB-260-S	260 lbs	250 x 10 lb	5 lb x 1 oz	5 lb x 0.1 lb	0-25 lb	23 lbs (10.5 kg)

H44 Class III - "Legal for Trade"

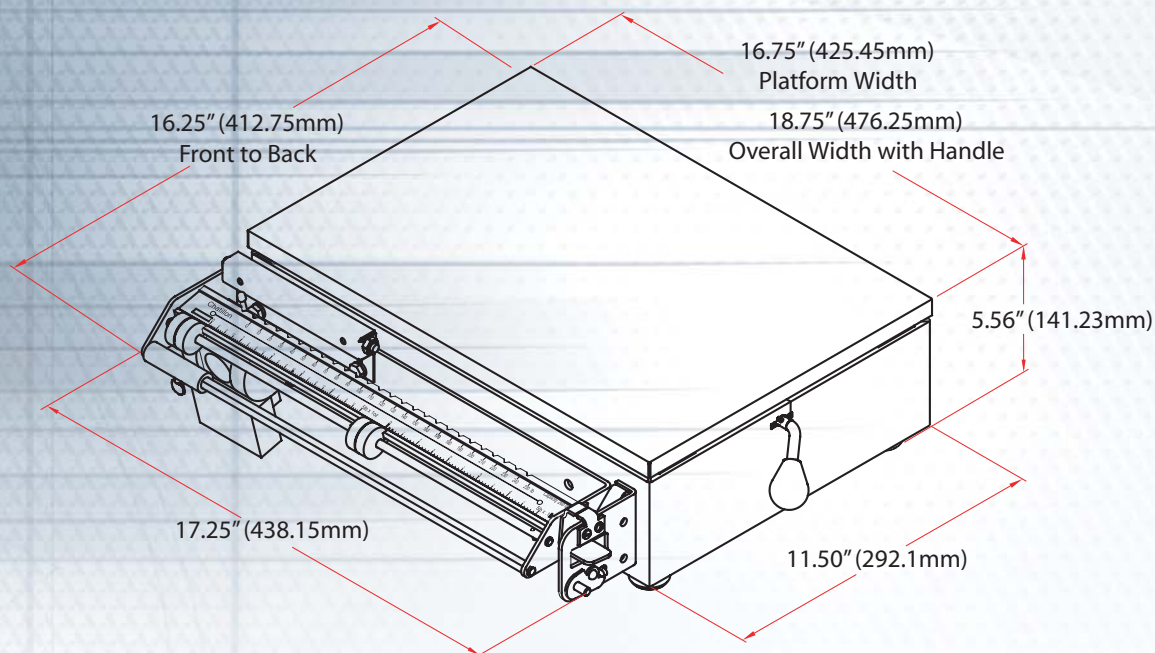
Old Model	New Model	Capacity	Top	Left	Right	Tare Bar	Weight
PBB52	PBB-052-T	52 lbs	50 x 2 lb	1 lb x 1/4 oz	1 lb x 0.02 lb	0-10 lb	23 lbs (10.5 kg)
PBB135	PBB-135-T	260 lbs	250 x 10 lb	5 lb x 1 oz	5 lb x 0.1 lb	0-25 lb	23 lbs (10.5 kg)
PBB26KG	KPB-026-T	26 kg	25 x 1 kg	0-2 kg blank tare	1 kg x 0.01 kg	-	23 lbs (10.5 kg)
PBB52KG	KPB-052-T	52 kg	50 x 2 kg	0-2 kg blank tare	2 kg x 0.01 kg	-	23 lbs (10.5 kg)

Certificate of Conformance No. 88-150PN, was issued under the national Type Evaluation Program of the National Conference on Weights and Measures, that the design conforms to NIST Handbook 44 Class III. The scale is "Legal for Trade" subject to on-site verification by the local Weights and Measures jurisdictions.

Visit Us on the Web at www.chatillon.com



Dimensions



Accessories

Part No.	Description
PBBH	Handle Assembly
16076	Stainless Steel Platform Cover



PBBH-Handle accessory (optional)



PBB Series shown with optional Stainless Steel Cover (p/n 16076).



US GAUGE DIVISION

Americas
 AMETEK US Gauge Division
 8600 Somerset Drive
 Largo, Florida 33773
 United States of America
 Tel +1-727-536-7831
 Tel +1-800-527-9999
 Fax +1-727-539-6882
 Email chatillon.fl.har@ametek.com

United Kingdom
 Lloyd Instruments Ltd.
 12 Barnes Wallis Road
 Segensworth East
 Fareham
 Hants, PO15 5TT
 United Kingdom
 Tel +44 (0) 1489 486 399
 Fax +44 (0) 1489 885 118
 Email uk.far.general@ametek.com.uk

France
 AMETEK S.A.S.
 Rond Point de l'Epine des Champs
 Bureau Plus - Bat. D
 78990 Elancourt
 France
 Tel +33 (0)1 30 68 89 40
 Fax +33 (0)1 30 68 89 49
 Email general@lloyd-instruments.com

Germany
 AMETEK GmbH
 Rudolf-Diesel-Strasse 16
 D-40670 Meerbusch
 Germany
 Tel +49 (0)2159 9136-70
 Fax +49 (0)2159 9136-39
 Email info@ametek.de

Singapore
 AMETEK Singapore Pvt. Ltd.
 10 Ang Mo Kio Street 65
 #05-12 Techpoint
 Singapore 569059
 Tel +65-484-2388
 Fax +65-481-6588
 Email aspl@ametek.com.sg

For the authorized Chatillon Distributor or Manufacturer's Representative near you, go to www.chatillon.com

Visit Us on the Worldwide Web at:
www.chatillon.com

© 2006 by AMETEK, Inc.

Information within this document is subject to change without notice.

ISO 9001/2000
 Manufacturer